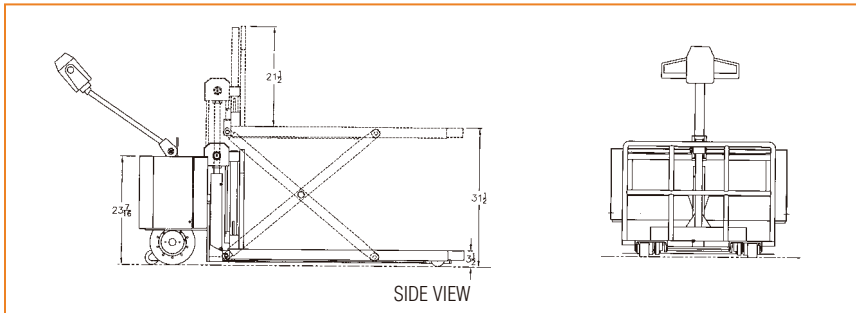
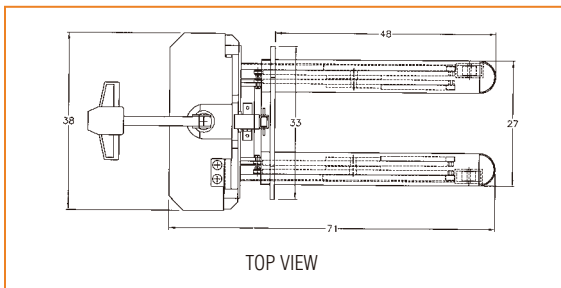
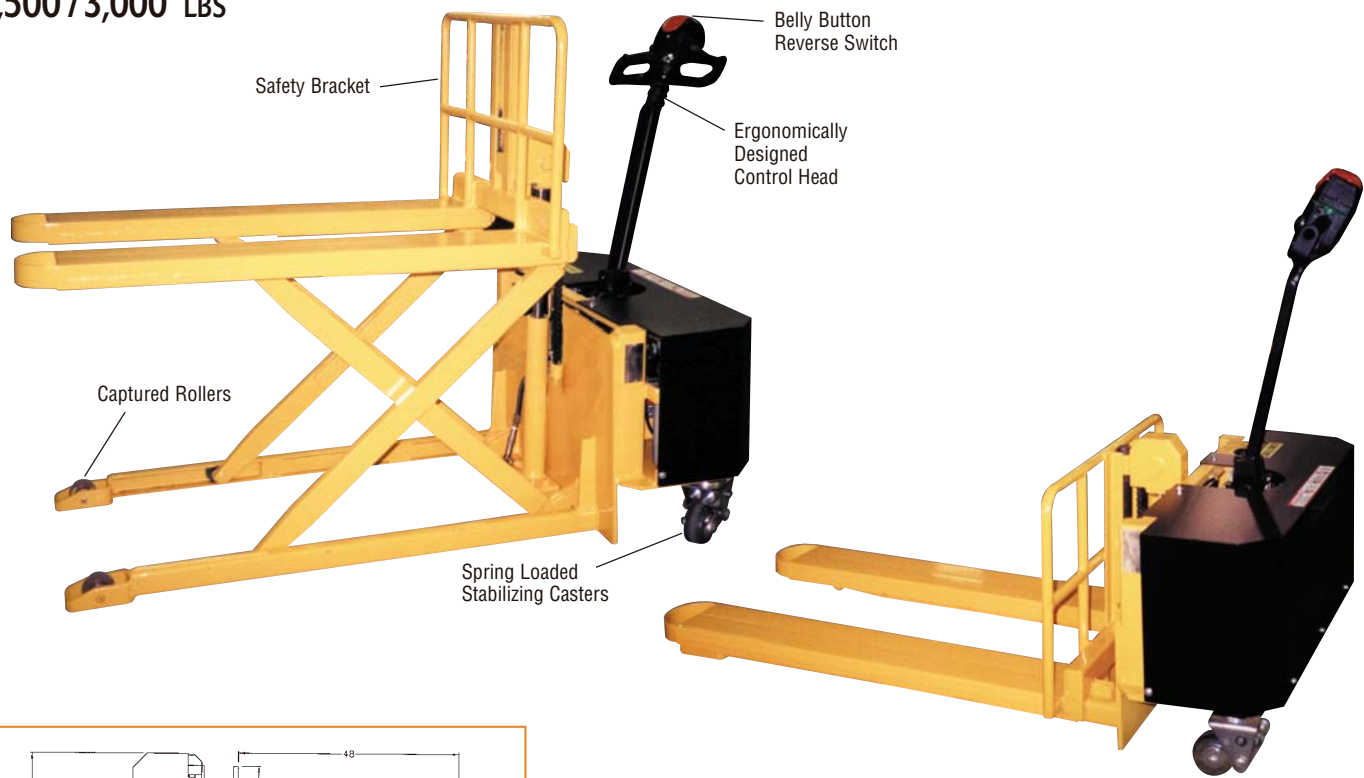


# SELF PROPELLED PORTABLE SKID LIFT

1,500 / 3,000 LBS

LIFT & TILTS



MODEL NO.	CAPACITY (LBS.)	FORK DIMENSIONS (W X L) (IN.)	FORK HEIGHTS (IN.)		WEIGHT (LBS.)
			LOWERED	RAISED	
PPSL-15B	1,500	27 x 48	3.5	31.5	600
PPSL-30B	3,000	27 x 48	3.5	31.5	800

## DRIVE UNIT/ELECTRICS

- 24 volt system
- Variable speed control - forward/reverse
- Built in 24 volt charger

## CONTROL HEAD

- Butterfly switches for forward and reverse
- Push buttons for raising and lowering of forks
- Built in horn

## BRAKES

- Engaged in upper thru lower position of the steering column when power is turned off
- Electro-mechanical brake system

## STEERING

- 180 degree turning radius
- Handle ergonomically designed

## POWER SUPPLIES

- D/C Battery
- 24 volt push button

## OPTIONS

- Longer Forks
- Industrial battery
- Industrial charger
- Battery discharge indicator
- Hour meter