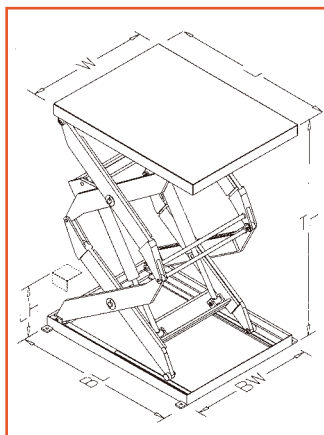


DOUBLE SCISSOR LIFT TABLE

500/1,000/1,500/2,000/4,000/5,000/6,000 LBS



OPTIONS

- Oversized platforms
- Beveled edges for pit mounting
- Eye-bolts for pit mounting
- Rotating tops
 - spring detents
 - manual detents
- Roller conveyor, Ball transfer tops
- Bellow safety skirting
- Safety tape switch
- Semi-portable
- Portable

SPECIFICATIONS LIGHT DUTY DOUBLE SCISSOR LIFT

MODEL NO.	CAPACITY (LBS.)	STD. PLAT. BASE (W x L) (IN.)	OVERSIZED PLATFORMS (UP TO) (IN.)	LOW HT (LH)(IN.)	RAISED HT (TH)(IN.)	UP SPEED (SEC.)	MOTOR (H.P.)	VOLT/HP/HZ	SHIP WEIGHT (LBS.)
LDL30-5-12*	500	12 x 24	12 x 24	6	36	20	1/2	115/1/60	185
LDL30-5-16	500	16 x 24	24 x 36	6	36	20	1/2	115/1/60	210
LDL30-10	1,000	16 x 24	24 x 36	6	36	20	1/2	115/1/60	210
LDL36-15	1,500	16 x 36	30 x 48	6	42	25	3/4	115/1/60	220

*Power pack external **

STANDARD 24" WIDE BASE DOUBLE SCISSOR LIFT TABLES

MODEL NO.	CAPACITY (LBS.)	STD. PLAT. BASE (W x L) (IN.)	OVERSIZED PLATFORMS (UP TO) (IN.)	LOW HT (LH)(IN.)	RAISED HT (TH)(IN.)	UP SPEED (SEC.)	MOTOR (H.P.)	VOLT/HP/HZ	SHIP WEIGHT (LBS.)
48" TRAVEL - 24" WIDE x 36" LONG PLATFORM/BASE									
DSL48-10	1,000	24 x 36	48 x 60	12	60	18	1	115/1/60	625
DSL48-15	1,500	24 x 36	48 x 60	12	60	20	1	115/1/60	650
DSL48-20	2,000	24 x 36	48 x 60	12	60	30	1	115/1/60	675
DSL48-30	3,000	24 x 36	48 x 60	18	66	40	1 1/2	115/1/60	695
DSL48-40	4,000	24 x 36	48 x 60	18	66	55	1 1/2	115/1/60	725
DSL48-50	5,000	24 x 36	48 x 60	18	66	40	1 1/2	208, 220, 460, 575/3/60	750
DSL48-60	6,000	24 x 36	48 x 60	18	66	55	1 1/2	208, 220, 460, 575/3/60	780
72" TRAVEL - 24" WIDE x 48" LONG PLATFORM/BASE									
DSL72-10	1,000	24 x 48	48 x 72	12	84	20	1	115/1/60	850
DSL72-15	1,500	24 x 48	48 x 72	12	84	22	1	115/1/60	875
DSL72-20	2,000	24 x 48	48 x 72	12	84	32	1	115/1/60	900
DSL72-30	3,000	24 x 48	48 x 72	18	90	44	1 1/2	115/1/60	930
DSL72-40	4,000	24 x 48	48 x 72	18	90	60	1 1/2	115/1/60	975
DSL72-50	5,000	24 x 48	48 x 72	18	90	49	1 1/2	208, 220, 460, 575/3/60	1,000
DSL72-60	6,000	24 x 48	48 x 72	18	90	57	1 1/2	208, 220, 460, 575/3/60	1,050

SPECIFICATIONS - wide based units; for wider platform applications and greater stability.

36" WIDE BASE DOUBLE SCISSOR LIFT TABLES

MODEL NO.	CAPACITY (LBS.)	STD. PLAT. BASE (W x L) (IN.)	OVERSIZED PLATFORMS (UP TO) (IN.)	LOW HT (LH)(IN.)	RAISED HT (TH)(IN.)	UP SPEED (SEC.)	MOTOR (H.P.)	VOLT/HP/HZ	SHIP WEIGHT (LBS.)
48" TRAVEL - 36" WIDE x 36" LONG PLATFORM/BASE									
3DSL48-10	1,000	36 x 36	60 x 60	12	60	18	1	115/1/60	650
3DSL48-15	1,500	36 x 36	60 x 60	12	60	20	1	115/1/60	675
3DSL48-20	2,000	36 x 36	60 x 60	12	60	30	1	115/1/60	700
3DSL48-30	3,000	36 x 36	60 x 60	18	66	40	1 1/2	115/1/60	725
3DSL48-40	4,000	36 x 36	60 x 60	18	66	55	1 1/2	115/1/60	750
3DSL48-50	5,000	36 x 36	60 x 60	18	66	40	1 1/2	208, 220, 460, 575/3/60	775
3DSL48-60	6,000	36 x 36	60 x 60	18	66	55	1 1/2	208, 220, 460, 575/3/60	800
72" TRAVEL - 36" WIDE x 48" LONG PLATFORM/BASE									
3DSL72-10	1,000	36 x 48	60 x 72	12	84	20	1	115/1/60	875
3DSL72-15	1,500	36 x 48	60 x 72	12	84	22	1	115/1/60	900
3DSL72-20	2,000	36 x 48	60 x 72	12	84	32	1	115/1/60	925
3DSL72-30	3,000	36 x 48	60 x 72	18	90	44	1 1/2	115/1/60	950
3DSL72-40	4,000	36 x 48	60 x 72	18	90	60	1 1/2	115/1/60	995
3DSL72-50	5,000	36 x 48	60 x 72	18	90	49	1 1/2	208, 220, 460, 575/3/60	1,050
3DSL72-60	6,000	36 x 48	60 x 72	18	90	57	1 1/2	208, 220, 460, 575/3/60	1,095

48" WIDE BASE DOUBLE SCISSOR LIFT TABLES

MODEL NO.	CAPACITY (LBS.)	STD. PLAT. BASE (W x L) (IN.)	OVERSIZED PLATFORMS (UP TO) (IN.)	LOW HT (LH)(IN.)	RAISED HT (TH)(IN.)	UP SPEED (SEC.)	MOTOR (H.P.)	VOLT/HP/HZ	SHIP WEIGHT (LBS.)
48" TRAVEL - 48" WIDE x 36" LONG PLATFORM/BASE									
3DSL48-10	1,000	48 x 36	72 x 60	12	60	18	1	115/1/60	875
3DSL48-15	1,500	48 x 36	72 x 60	12	60	20	1	115/1/60	900
3DSL48-20	2,000	48 x 36	72 x 60	12	60	30	1	115/1/60	925
3DSL48-30	3,000	48 x 36	72 x 60	18	66	40	1 1/2	115/1/60	950
3DSL48-40	4,000	48 x 36	72 x 60	18	66	55	1 1/2	115/1/60	995
3DSL48-50	5,000	48 x 36	72 x 60	18	66	40	1 1/2	208, 220, 460, 575/3/60	1,050
3DSL48-60	6,000	48 x 36	72 x 60	18	66	55	1 1/2	208, 220, 460, 575/3/60	1,095
72" TRAVEL - 48" WIDE x 48" LONG PLATFORM/BASE									
3DSL72-10	1,000	48 x 48	72 x 72	12	84	20	1	115/1/60	1,050
3DSL72-15	1,500	48 x 48	72 x 72	12	84	22	1	115/1/60	1,100
3DSL72-20	2,000	48 x 48	72 x 72	12	84	32	1	115/1/60	1,195
3DSL72-30	3,000	48 x 48	72 x 72	18	90	44	1 1/2	115/1/60	1,295
3DSL72-40	4,000	48 x 48	72 x 72	18	90	60	1 1/2	115/1/60	1,400
3DSL72-50	5,000	48 x 48	72 x 72	18	90	49	1 1/2	208, 220, 460, 575/3/60	1,450
3DSL72-60	6,000	48 x 48	72 x 72	18	90	57	1 1/2	208, 220, 460, 575/3/60	1,495

See page 12 for options available.